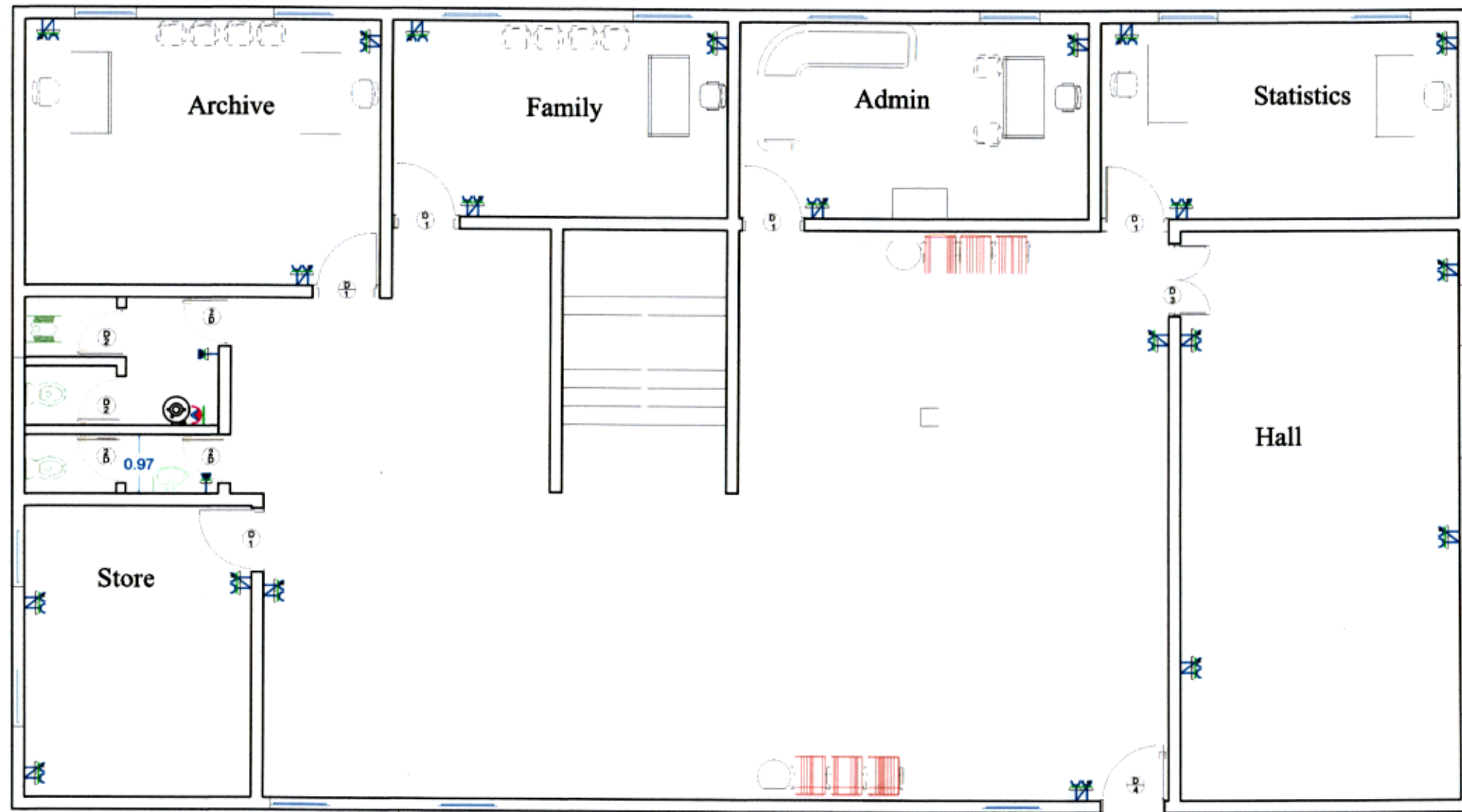







**ARCHITECTURE, CIVIL, SANITATION & ELECTRIC
DESIGNS FOR REHABILITATION OF PHCC AL
INTISAR-MOSUL**

التصاميم المعمارية والانشائية والصحية والكهربائية الخاصة بترميم
بناية المركز الصحي في حي الانتصار-الموصل





-  Switch plug 15 A
-  Switch plug 13 A
-  Switch plug 45 A for water heaters
-  Switch plug 13 A with cover
-  Water Heater 80 Liter



مكتب باور
المهندسين
برهان الدين محمد
BAWER OFFICE

General Notes



*All dimensions
in Meter*

THIS DRAWINGS IS THE COPYRIGHT OF DAMA, MI&BMZ/ IRAQ. IT IS NOT ALLOWED TO COPY OR REPRODUCE ITS CONTENTS IN ANY FORM WITHOUT THEIR APPROVAL

CERTAIN DRAWINGS ARE N.T.S. (NOT TO SCALED). TECHNICAL NOTES & SPECIFICATION SHALL BE REFERENCED





No.	Revision/Issue	Date

Firm Name and Address
Power Supply & Water Heater

Project Name and Address
Rehabilitation of PHCC -Al-Intisar

Project	Sheet
Date	
Scale	



-  Split-Air-condition unit wall mounted -2 ton
-  45 A Outlet
-  Ventilating Fan 20 cm
-  Circuit breaker



مكتب باور
المهندسين
بكرهان الدين محمد
BAWER OFFICE

General Notes



*All dimensions
in Meter*

THIS DRAWINGS IS THE COPYRIGHT OF DAMA,MI&BMZ/ IRAQ. IT IS NOT ALLOWED TO COPY OR REPRODUCE ITS CONTENTS IN ANY FORM WITHOUT THEIR APPROVAL

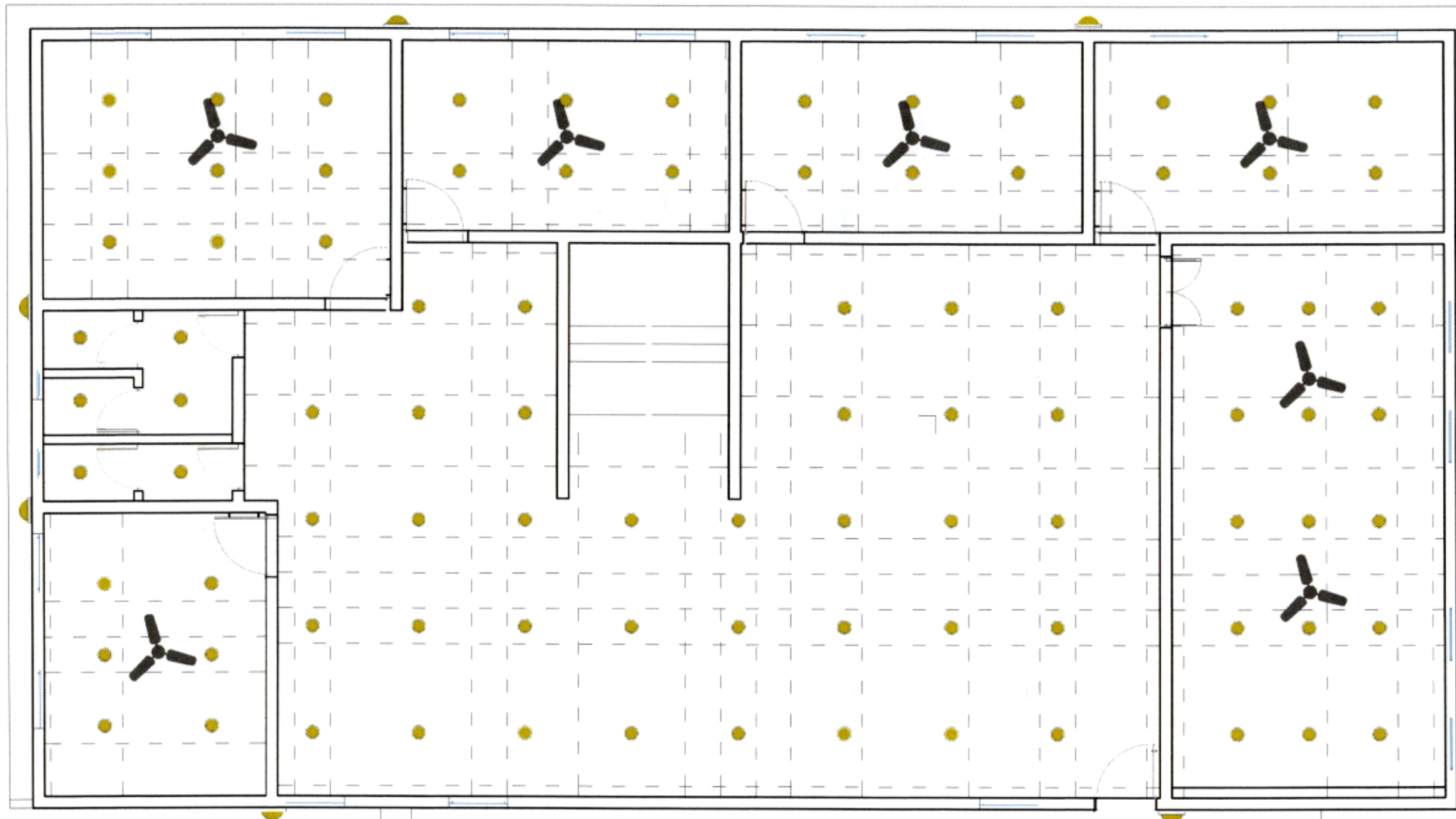
CERTAIN DRAWINGS ARE N.T.S. (NOT TO SCALED). TECHNICAL NOTES & SPECIFICATION SHALL BE REFERENCED




No.	Revision/Issue	Date

Firm Name and Address
Air conditions & Exhaust Fan

Project Name and Address
Rehabilitation of PHCC -Al-Intisar

Project	Sheet
Date	
Scale	



-  Led light 20 cm dia- false ceiling mounted
-  Ceiling Fan 42"
-  Led light 20 cm dia- water proof -wall mounted



مكتب باور
المهندسين
برهان الدين محمد
BAWER OFFICE

General Notes



*All dimensions
in Meter*

THIS DRAWINGS IS THE COPYRIGHT OF DAMA, MI&BMZ/ IRAQ. IT IS NOT ALLOWED TO COPY OR REPRODUCE ITS CONTENTS IN ANY FORM WITHOUT THEIR APPROVAL

CERTAIN DRAWINGS ARE N.T.S. (NOT TO SCALED). TECHNICAL NOTES & SPECIFICATION SHALL BE REFERENCED

No.	Revision/Issue	Date

Firm Name and Address
Lighting & Ceiling Fan

Project Name and Address
Rehabilitation of PHCC -Al-Intisar

Project	Sheet
Date	
Scale	

مكتب باور
المهندسين
برهان الدين
POWER OFFICE



P.P.R pipe from tanks 1 inch
Ventilating P.P.R Pipes 1 inch
P.P.R Hot water
P.P.R Cold water

General Notes



All dimensions in Meter

THIS DRAWINGS IS THE COPYRIGHT OF DAMA, MI&BMZ/ IRAQ. IT IS NOT ALLOWED TO COPY OR REPRODUCE ITS CONTENTS IN ANY FORM WITHOUT THEIR APPROVAL

CERTAIN DRAWINGS ARE N.T.S. (NOT TO SCALED). TECHNICAL NOTES & SPECIFICATION SHALL BE REFERENCED

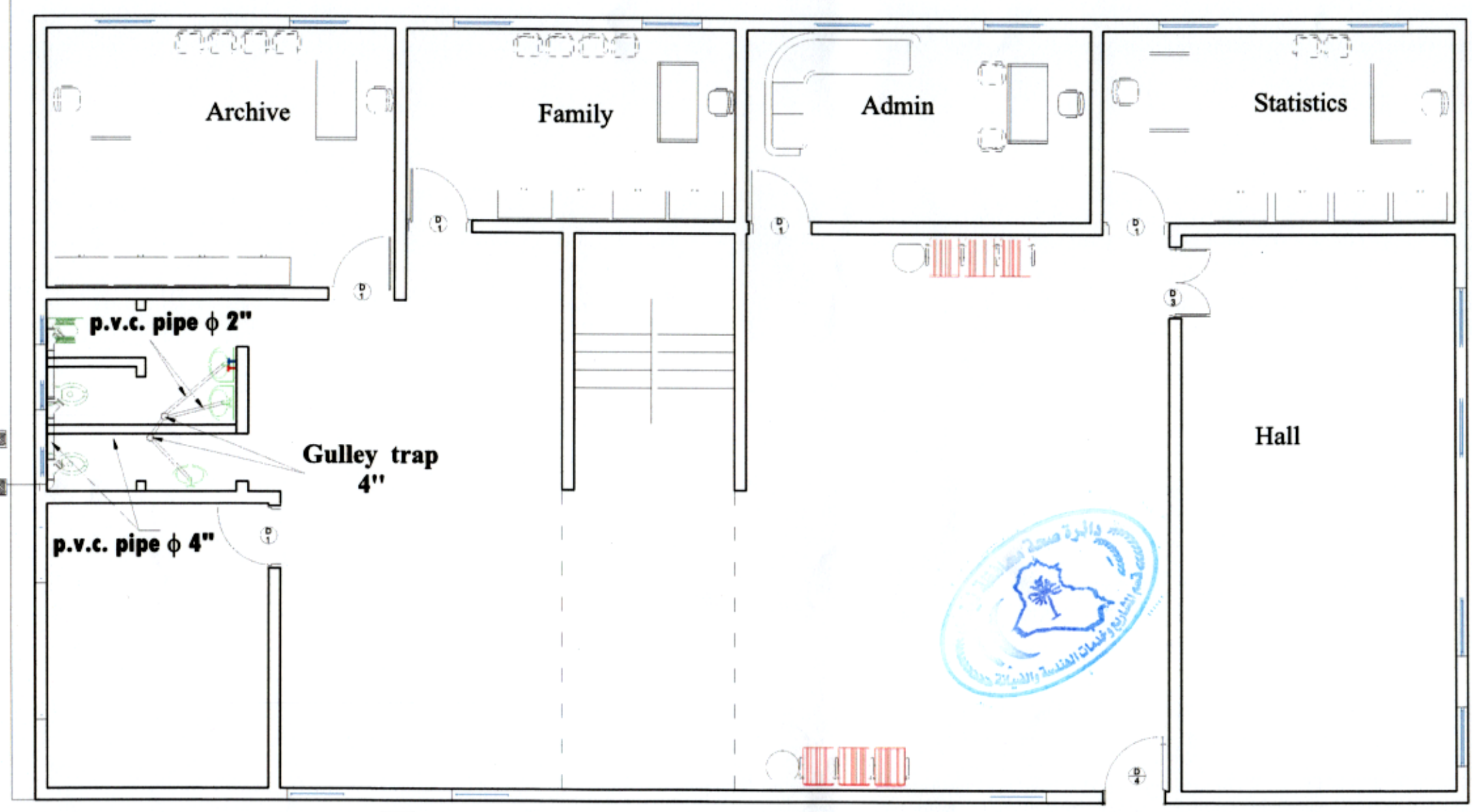
No.	Revision/Issue	Date

Client Name and Address
Water Supply

Project Name and Address
Rehabilitation of PHCC -Al-Intisar

Project	Sheet
Date	
Scale	

مكتب باور
المهندسين
برهان الدين
BAWER OFFICE



*All dimensions
in Meter*

THIS DRAWINGS IS THE COPYRIGHT OF DAMA, MI&BMZ/ IRAQ. IT IS NOT ALLOWED TO COPY OR REPRODUCE ITS CONTENTS IN ANY FORM WITHOUT THEIR APPROVAL

CERTAIN DRAWINGS ARE N.T.S. (NOT TO SCALED). TECHNICAL NOTES & SPECIFICATION SHALL BE REFERENCED

No.	Revision/Issue	Date

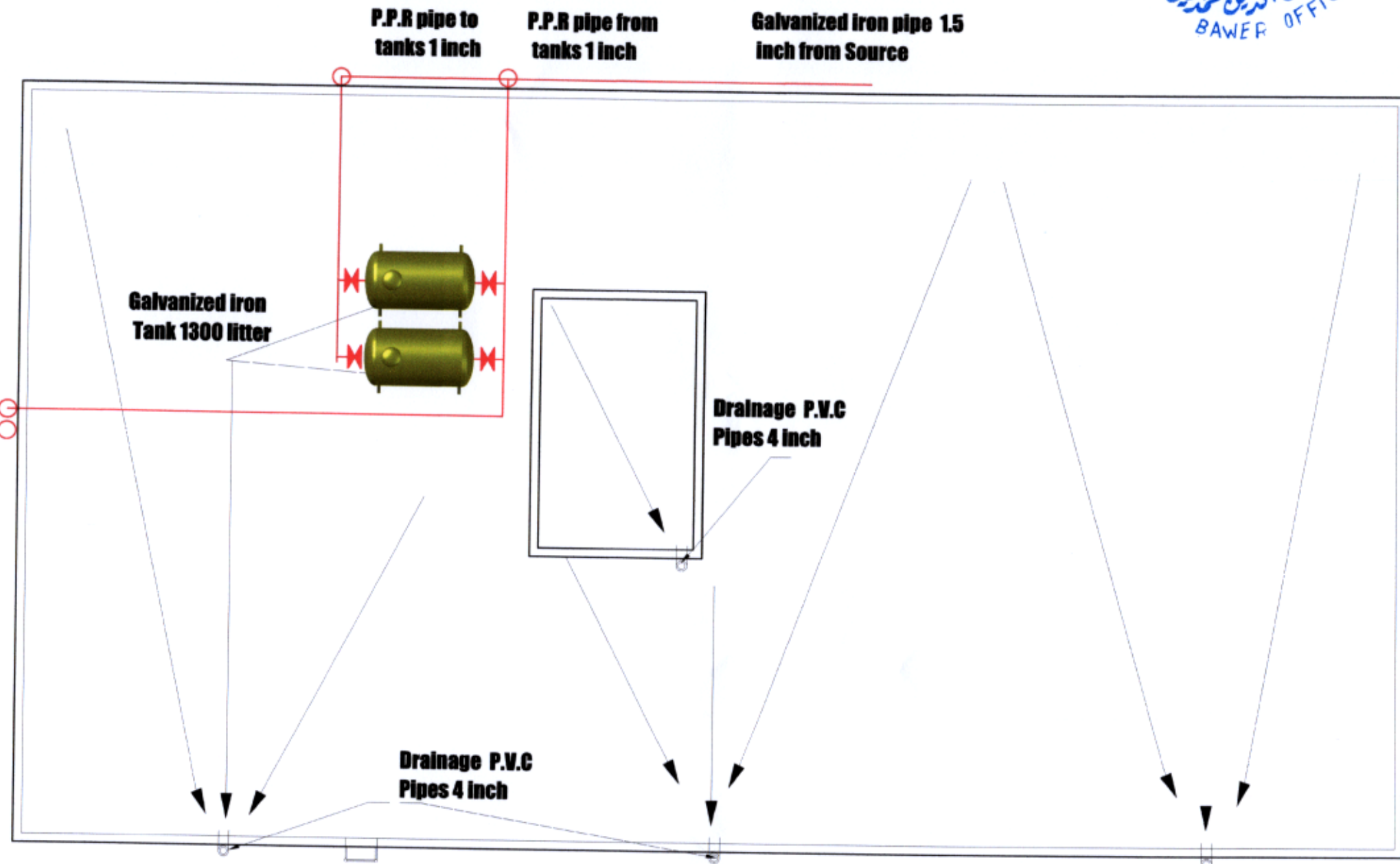
File Name and Address
Sewage

Project Name and Address
Rehabilitation of PHCC -Al-Intisar

Project	Sheet
Date	
Scale	



مكتب باور
 المهندس محمد حسين
 بوهان الدين محمد
 BAWER OFFICE



General Notes



All dimensions
 in Meter

THIS DRAWINGS IS THE COPYRIGHT OF DAMA,MI&BMZ/ IRAQ. IT IS NOT ALLOWED TO COPY OR REPRODUCE ITS CONTENTS IN ANY FORM WITHOUT THEIR APPROVAL

CERTAIN DRAWINGS ARE N.T.S. (NOT TO SCALED). TECHNICAL NOTES & SPECIFICATION SHALL BE REFERENCED

No.	Revision/Issue	Date

Project Name and Address
Roof Drainage & Water Tanks

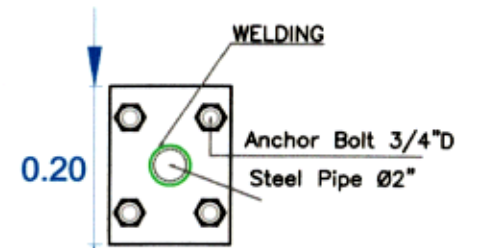
Project Name and Address
Rehabilitation of PHCC -Al-Intisar

Project	Sheet
Date	
Scale	

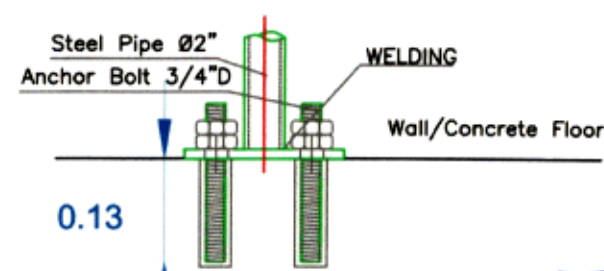




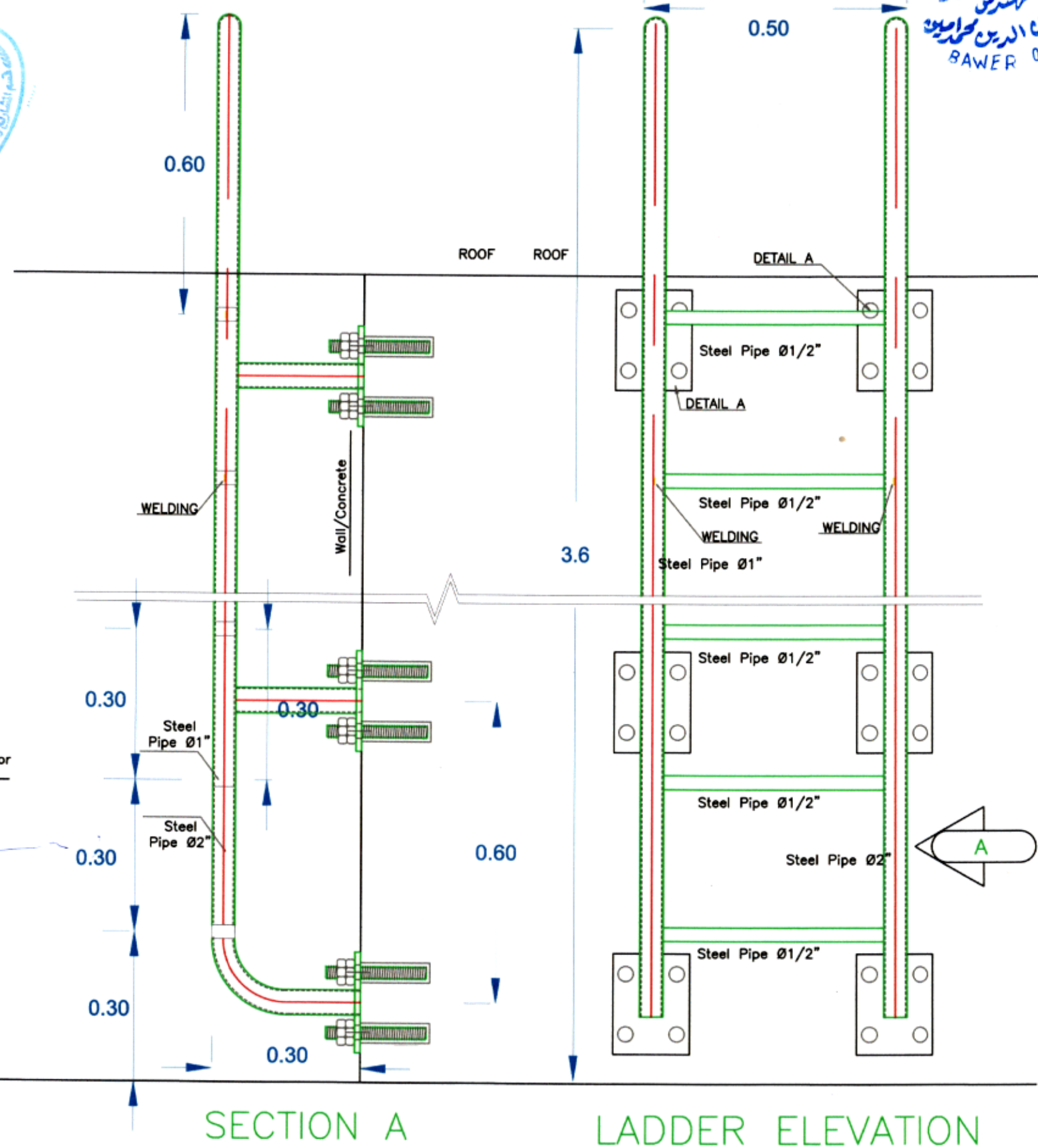
مكتب باور
المهندسين
برهان الدين محمد
BAWER OFFICE



DETAIL A
Plan



DETAIL A
Section



SECTION A

LADDER ELEVATION

General Notes



All dimensions
in Meter

THIS DRAWINGS IS THE COPYRIGHT OF DAMA, MI&BMZ/ IRAQ. IT IS NOT ALLOWED TO COPY OR REPRODUCE ITS CONTENTS IN ANY FORM WITHOUT THEIR APPROVAL

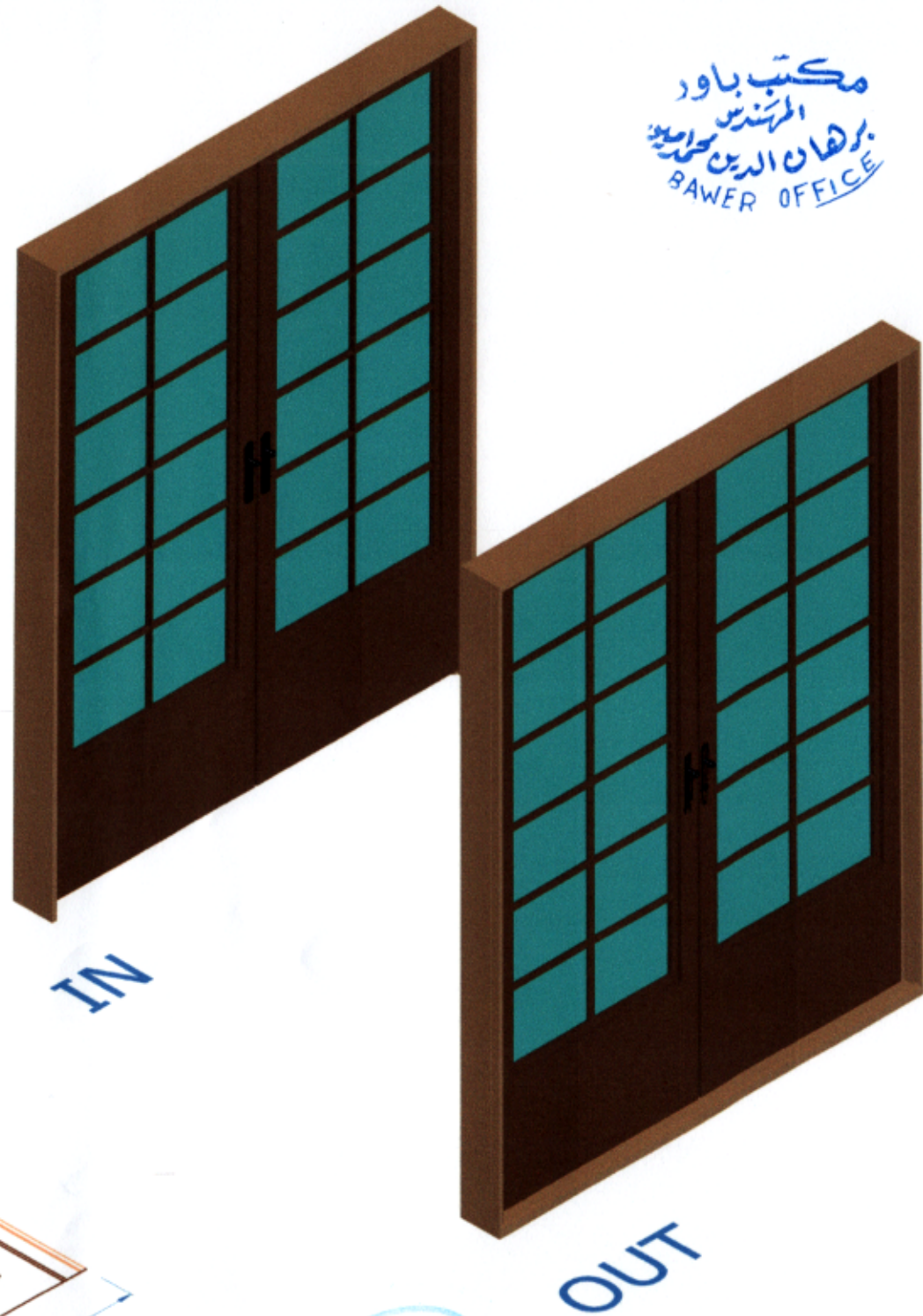
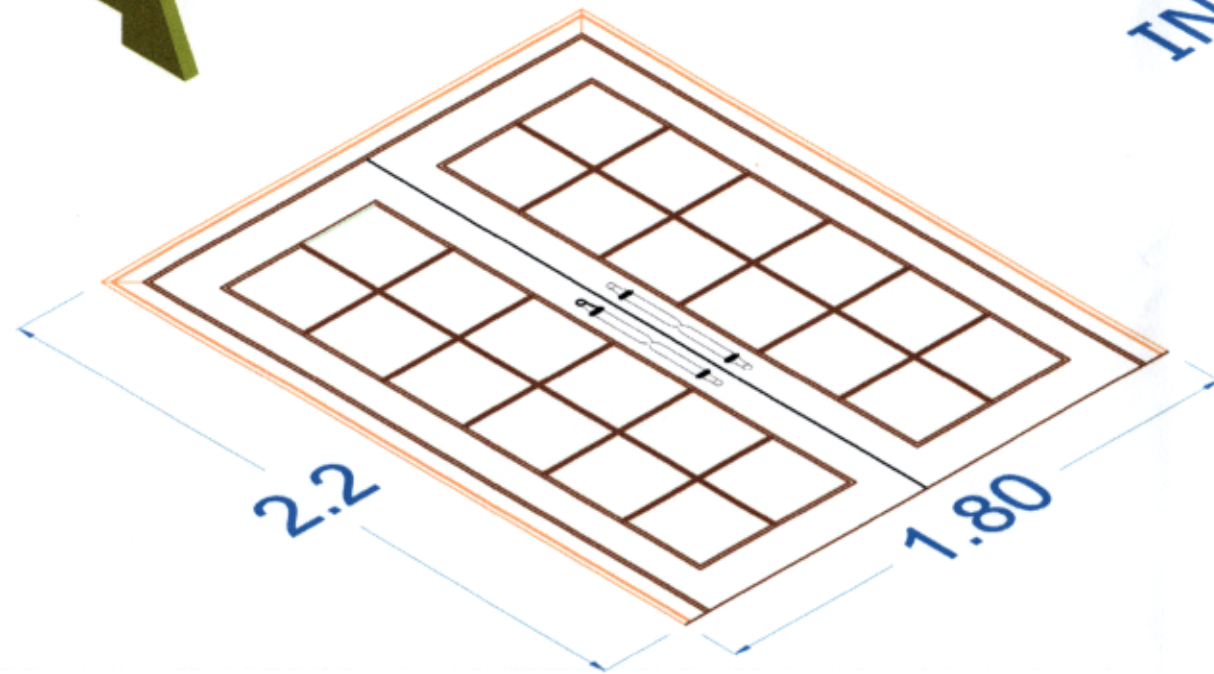
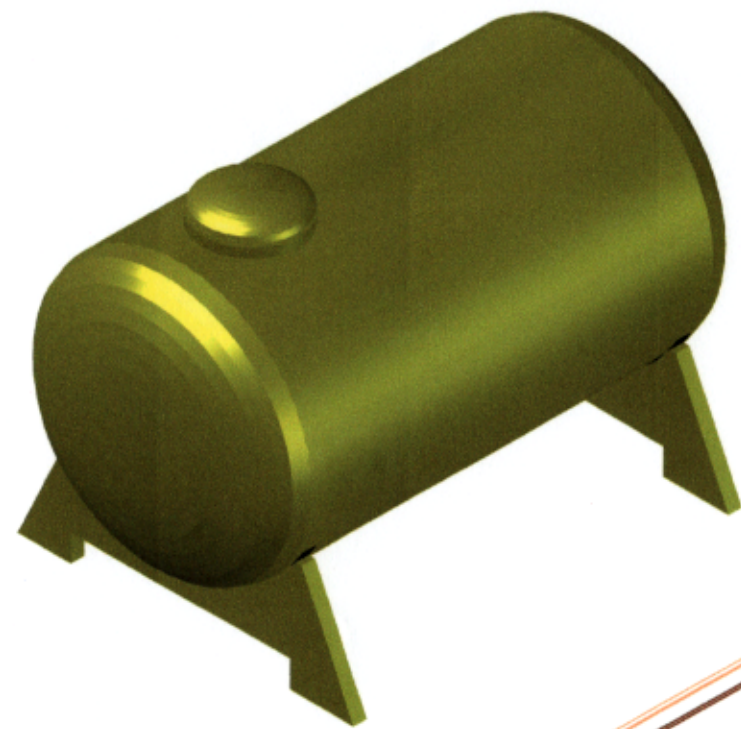
CERTAIN DRAWINGS ARE N.T.S. (NOT TO SCALED). TECHNICAL NOTES & SPECIFICATION SHALL BE REFERENCED

No.	Revision/Issue	Date

Firm Name and Address
Ladderdetail

Project Name and Address
Rehabilitation of PHCC -Al-Intisar

Project	Sheet



مكتب باور
المهندسين
بوكهان الدين محمد
BAWER OFFICE



General Notes



*All dimensions
in Meter*

THIS DRAWINGS IS THE COPYRIGHT OF DAMA,MI&BMZ/ IRAQ. IT IS NOT ALLOWED TO COPY OR REPRODUCE ITS CONTENTS IN ANY FORM WITHOUT THEIR APPROVAL

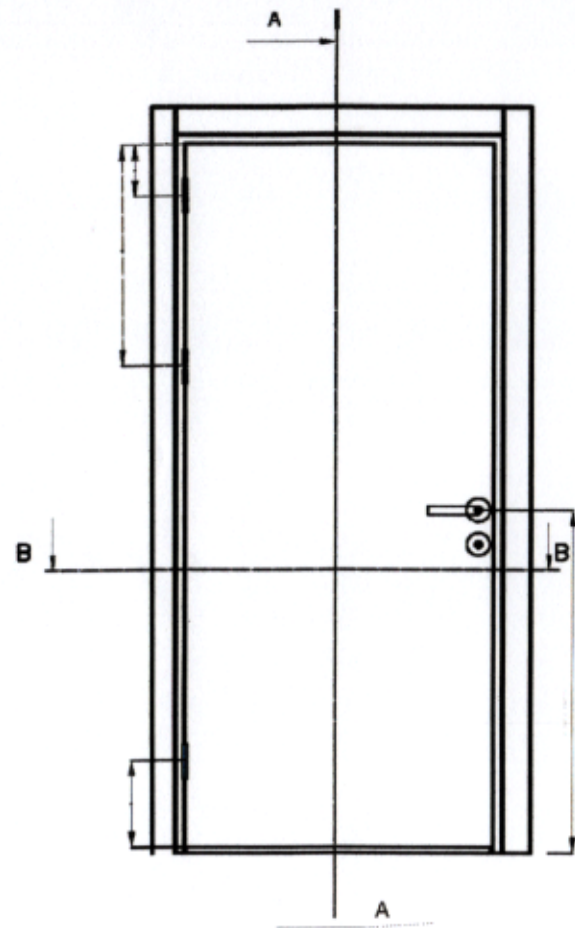
CERTAIN DRAWINGS ARE N.T.S. (NOT TO SCALED). TECHNICAL NOTES & SPECIFICATION SHALL BE REFERENCED

No.	Revision/Issue	Date

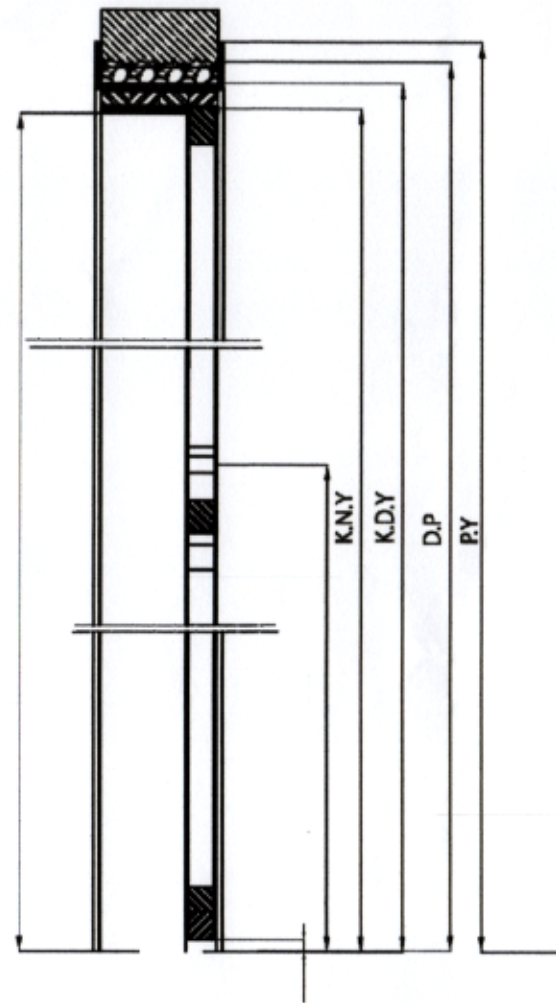
Firm Name and Address
Emergency door&water tank

Project Name and Address
Rehabilitation of PHCC -Al-Intisar

Project	Sheet
Date	
Scale	



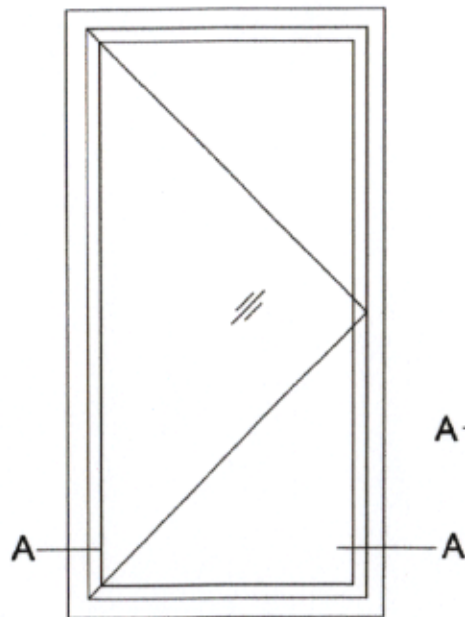
Wooden Door Elevation



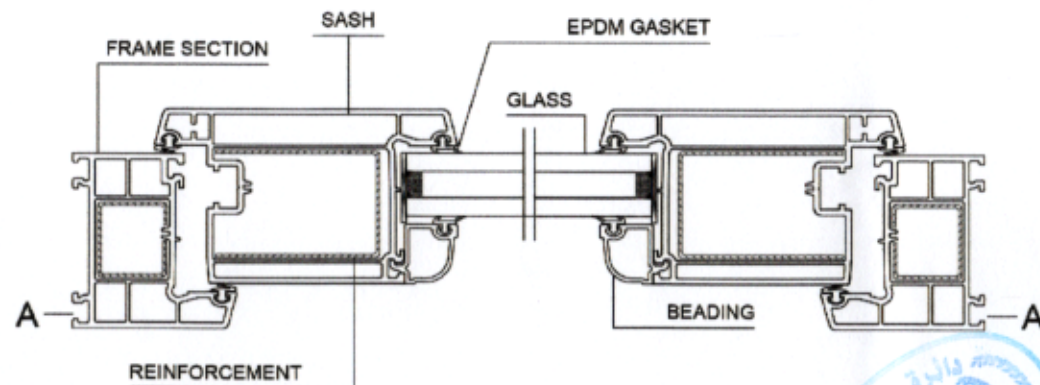
Wooden Door sec A-A



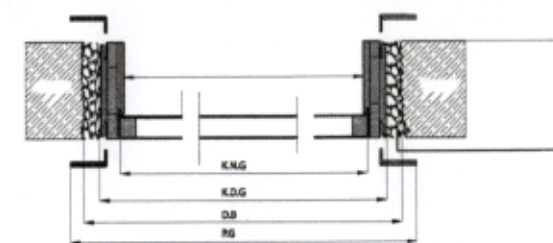
Wooden Door Elevation



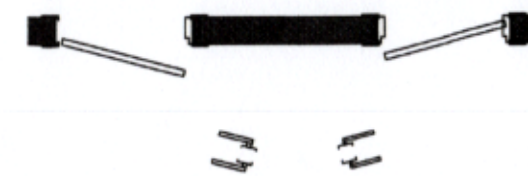
PVC Door Elevation



PVC Door Details



Wooden Door SecB-B



Wooden Door Details

General Notes



german cooperation
DEUTSCHE ZUSAMMENARBEIT



All dimensions

in Meter
المهندسين
برهان الدين
BAWER OFFICE

THIS DRAWINGS IS THE COPYRIGHT OF DAMA, MI&BMZ/ IRAQ. IT IS NOT ALLOWED TO COPY OR REPRODUCE ITS CONTENTS IN ANY FORM WITHOUT THEIR APPROVAL

CERTAIN DRAWINGS ARE N.T.S. (NOT TO SCALED). TECHNICAL NOTES & SPECIFICATION SHALL BE REFERENCED

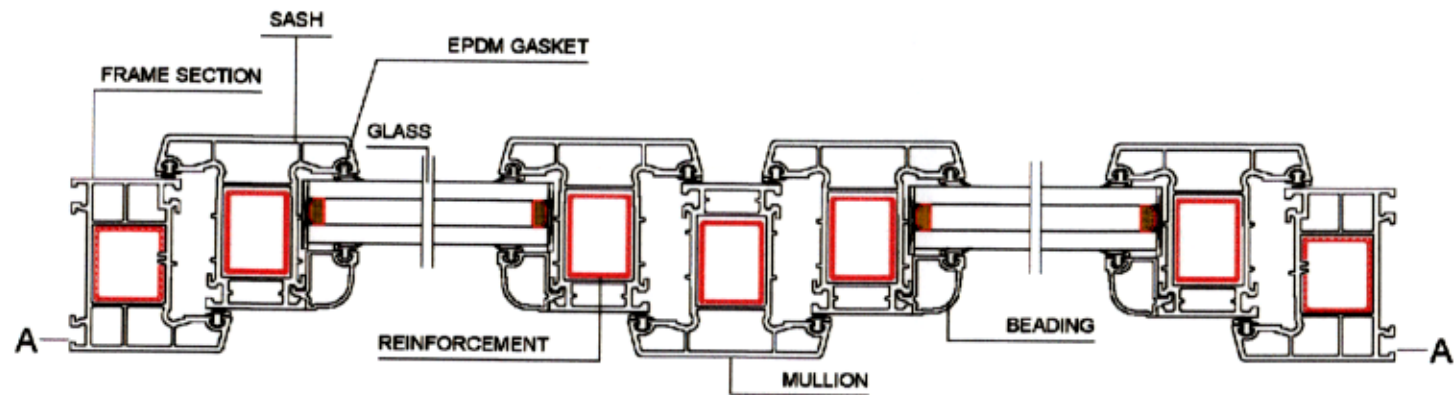
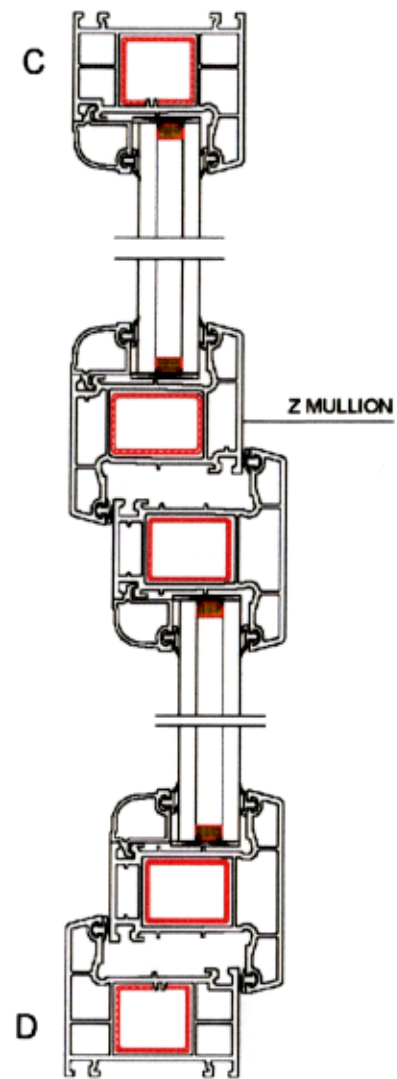
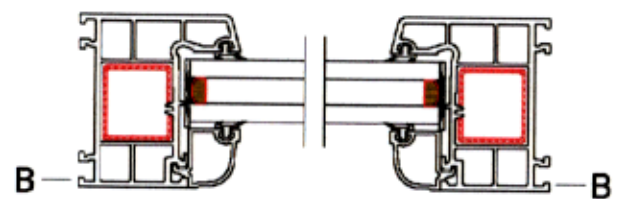
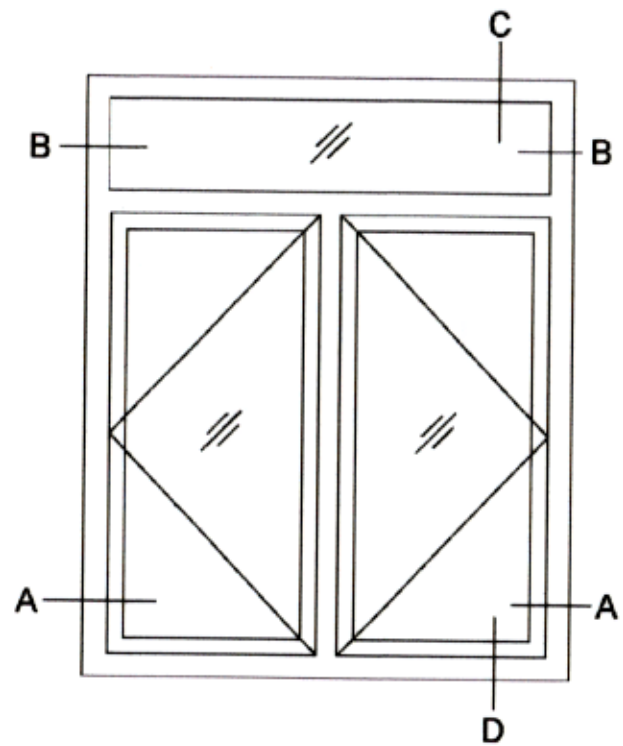
No.	Revision/Issue	Date

Doors details

Rehabilitation of PHCC -Al-Intisar

Project	Sheet
Date	
Scale	





مكتب باور
المهندسين
برهان الدين حميد
POWER OFFICE



General Notes



All dimensions
in Meter

THIS DRAWINGS IS THE COPYRIGHT OF DAMA, MI&BMZ/ IRAQ. IT IS NOT ALLOWED TO COPY OR REPRODUCE ITS CONTENTS IN ANY FORM WITHOUT THEIR APPROVAL

CERTAIN DRAWINGS ARE N.T.S. (NOT TO SCALED). TECHNICAL NOTES & SPECIFICATION SHALL BE REFERENCED

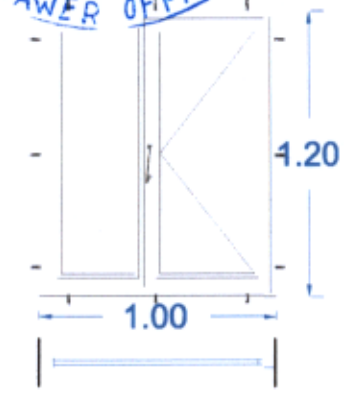
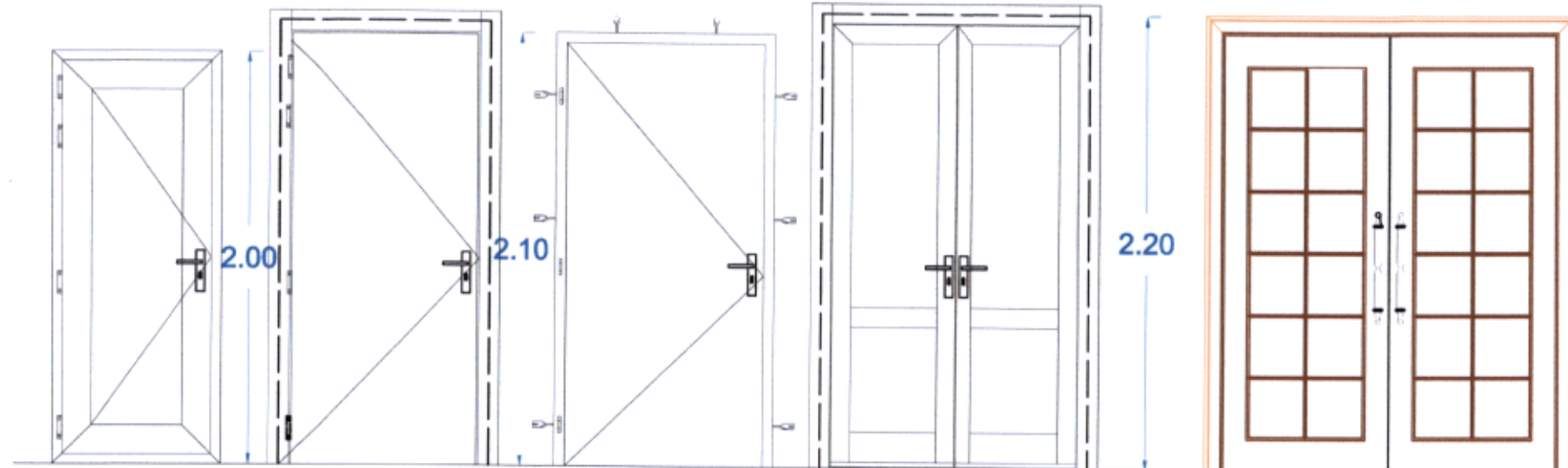
No.	Revision/Issue	Date

Form Name and Address
P.V.C Window details

Project Name and Address
Rehabilitation of PHCC -Al-Intisar

Project	Sheet
Date	
Scale	

مكتب باور
المهندسين
الرفيقان الدين حسين
BAWER OFFICE



P.V.C Window for rooms&halls No. 17

General Notes



All dimensions in Meter

THIS DRAWINGS IS THE COPYRIGHT OF DAMA,MI&BMZ/ IRAQ. IT IS NOT ALLOWED TO COPY OR REPRODUCE ITS CONTENTS IN ANY FORM WITHOUT THEIR APPROVAL

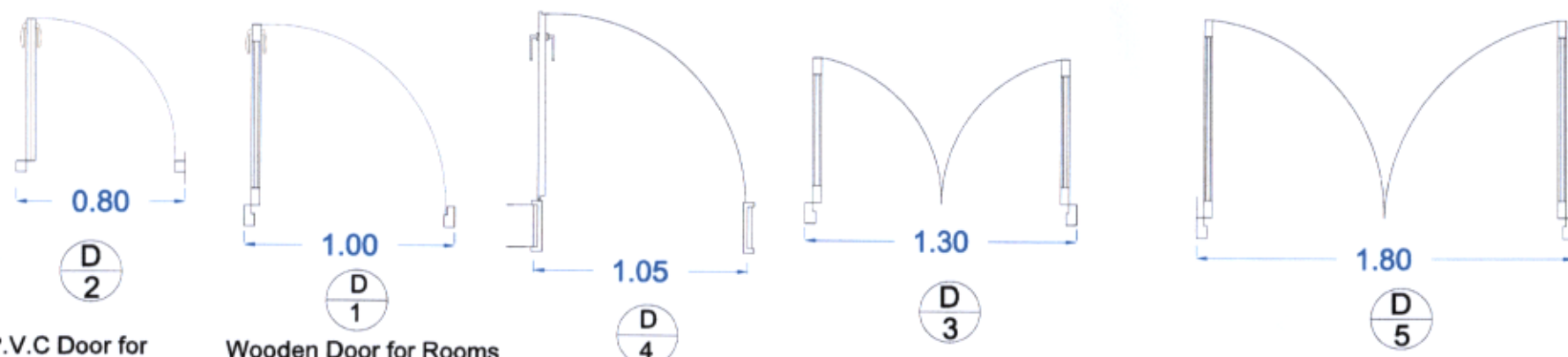
CERTAIN DRAWINGS ARE N.T.S. (NOT TO SCALED). TECHNICAL NOTES& SPECIFICATION SHALL BE REFERENCED

No.	Revision/issue	Date

File Name and Address
Arch&structure detail

Project Name and Address
Rehabilitation of PHCC -Al-Intisar

Project	Sheet
Date	
Date	



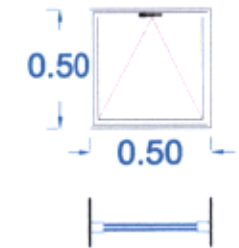
P.V.C Door for toilet-internal-, staff No.5

Wooden Door for Rooms No.5

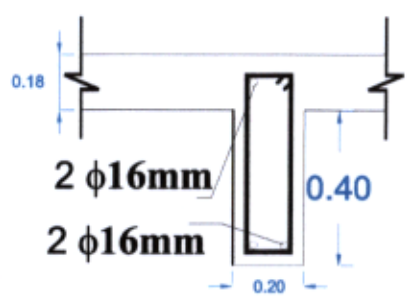
External Steel Door for penthouse No.1

Wooden Door for Hall No.1

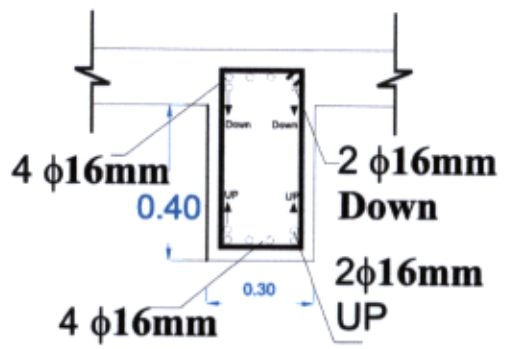
Emergency steel Door No.1



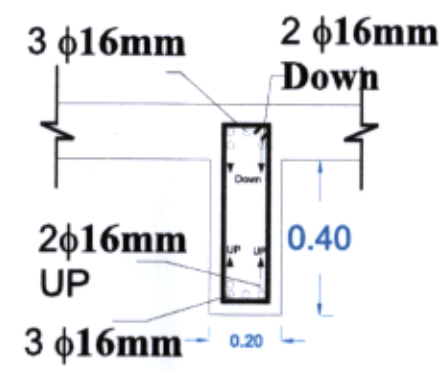
P.V.C Window for Toilets No. 3



Tie Beam Detail

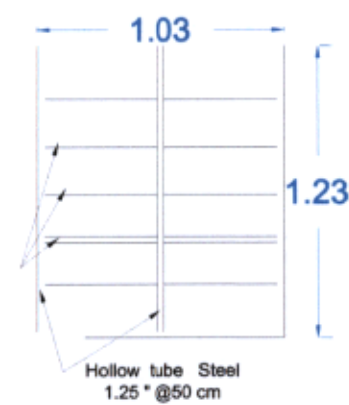


B2 Detail

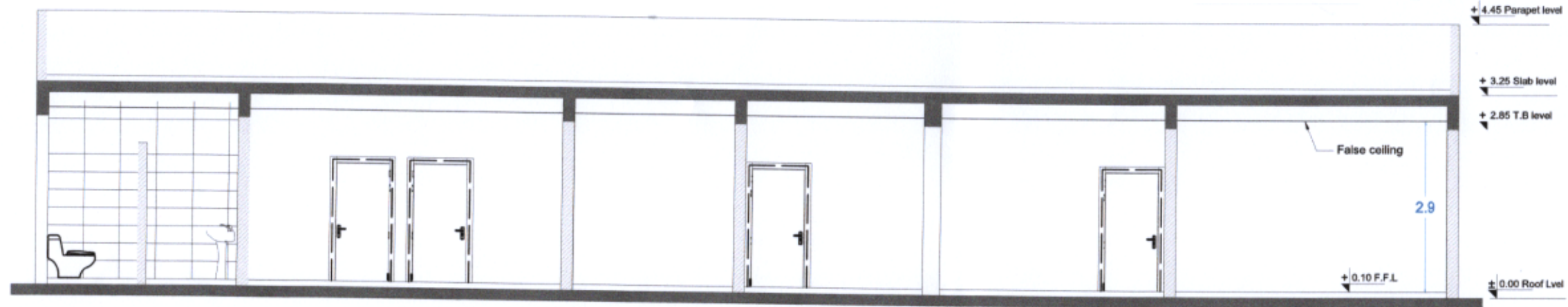


B1 Detail

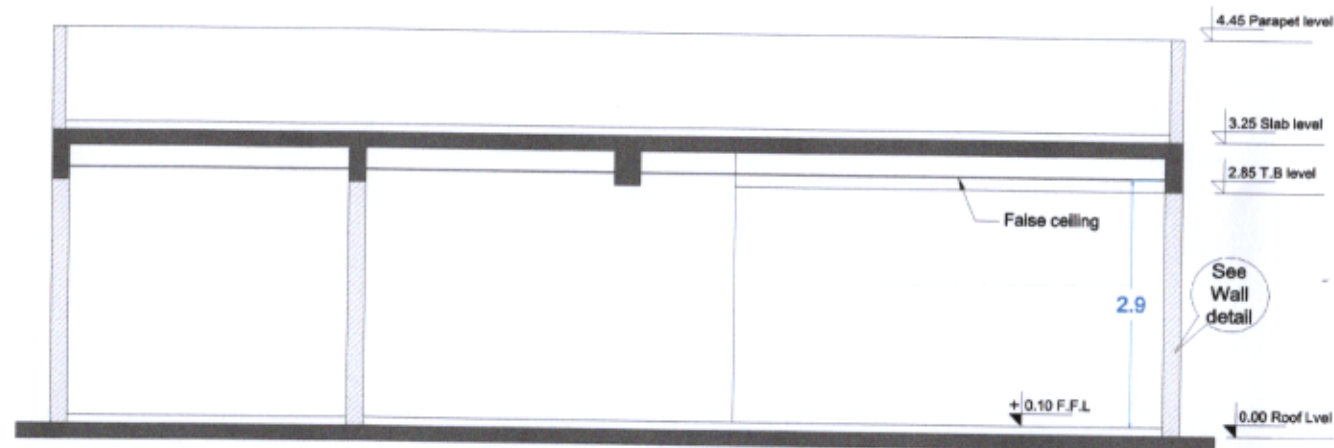
Hollow tube Steel 1" @20 cm
window Burgler



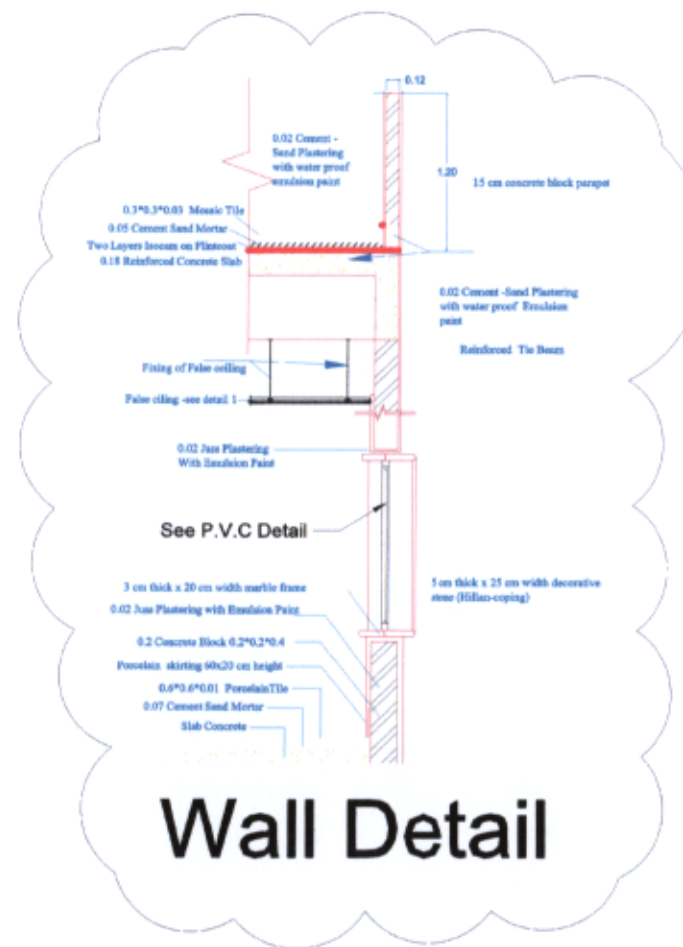
مكتب باور
المهندسين
برهان الدين محمد
BAWER OFFICE



Section A-A



Section B-B



Wall Detail

General Notes



All dimensions
in Meter

THIS DRAWINGS IS THE COPYRIGHT OF DAMA, MI&BMZ/ IRAQ. IT IS NOT ALLOWED TO COPY OR REPRODUCE ITS CONTENTS IN ANY FORM WITHOUT THEIR APPROVAL

CERTAIN DRAWINGS ARE N.T.S. (NOT TO SCALED). TECHNICAL NOTES & SPECIFICATION SHALL BE REFERENCED

No.	Revision/Issue	Date

Form Name and Address
Sections

Project Name and Address
Rehabilitation of PHCC -Al-Intisar

Project	Sheet
Date	
Scale	

مكتب باور
المهندسين
برهان الدين محمد
BAWER OFFICE

Hillan coping 5 cm

Water proof paint

Hillan coping 5 cm

Water proof paint

4.70

Norhth Side Elevation

West Front Elevation

Water proof paint

Hillan coping 5 cm

Hillan coping 5 cm

Water proof paint

South Side Elevation



East Rear Elevation

General Notes



german cooperation
DEUTSCHE ZUSAMMENARBEIT



All dimensions
in Meter

THIS DRAWINGS IS THE COPYRIGHT OF DAMA, MI&BMZ/ IRAQ. IT IS NOT ALLOWED TO COPY OR REPRODUCE ITS CONTENTS IN ANY FORM WITHOUT THEIR APPROVAL

CERTAIN DRAWINGS ARE N.T.S. (NOT TO SCALED). TECHNICAL NOTES & SPECIFICATION SHALL BE REFERENCED

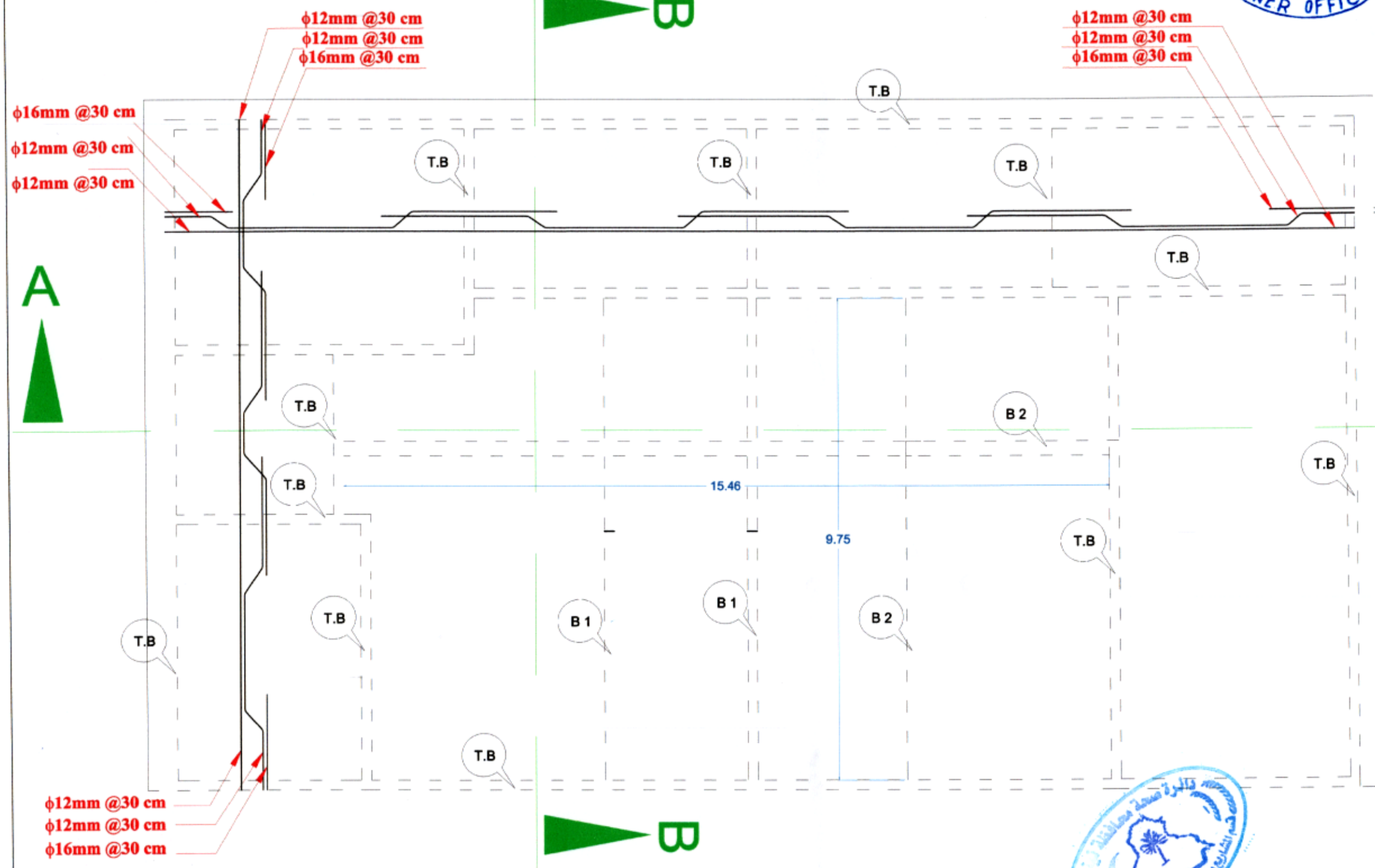
No.	Revision/Issue	Date

Project Name and Address
Elevations

Project Name and Address
Rehabilitation of PHCC -Al-Intisar

Project	Sheet
Date	
Scale	

مكتب باور
المهندسين
برهان الدين
BAWER OFFICE



General Notes



All dimensions
in Meter

THIS DRAWINGS IS THE COPYRIGHT OF DAMA, MI&BMZ/ IRAQ. IT IS NOT ALLOWED TO COPY OR REPRODUCE ITS CONTENTS IN ANY FORM WITHOUT THEIR APPROVAL

CERTAIN DRAWINGS ARE N.T.S. (NOT TO SCALED). TECHNICAL NOTES & SPECIFICATION SHALL BE REFERENCED

No.	Revision/Issue	Date

Slab
reinforcement

Rehabilitation
of PHCC
-Al-Intisar

Project	Sheet
Date	
Scale	

مكتب باور
المهندسين
برهان الدين محمد
BAWER OFFICE

General Notes



german cooperation
DEUTSCHE ZUSAMMENARBEIT



All dimensions
in Meter

THIS DRAWINGS IS
THE COPYRIGHT OF
DAMA, MI&BMZ/ IRAQ.
IT IS NOT ALLOWED
TO COPY OR
REPRODUCE ITS
CONTENTS IN ANY
FORM WITHOUT
THEIR APPROVAL

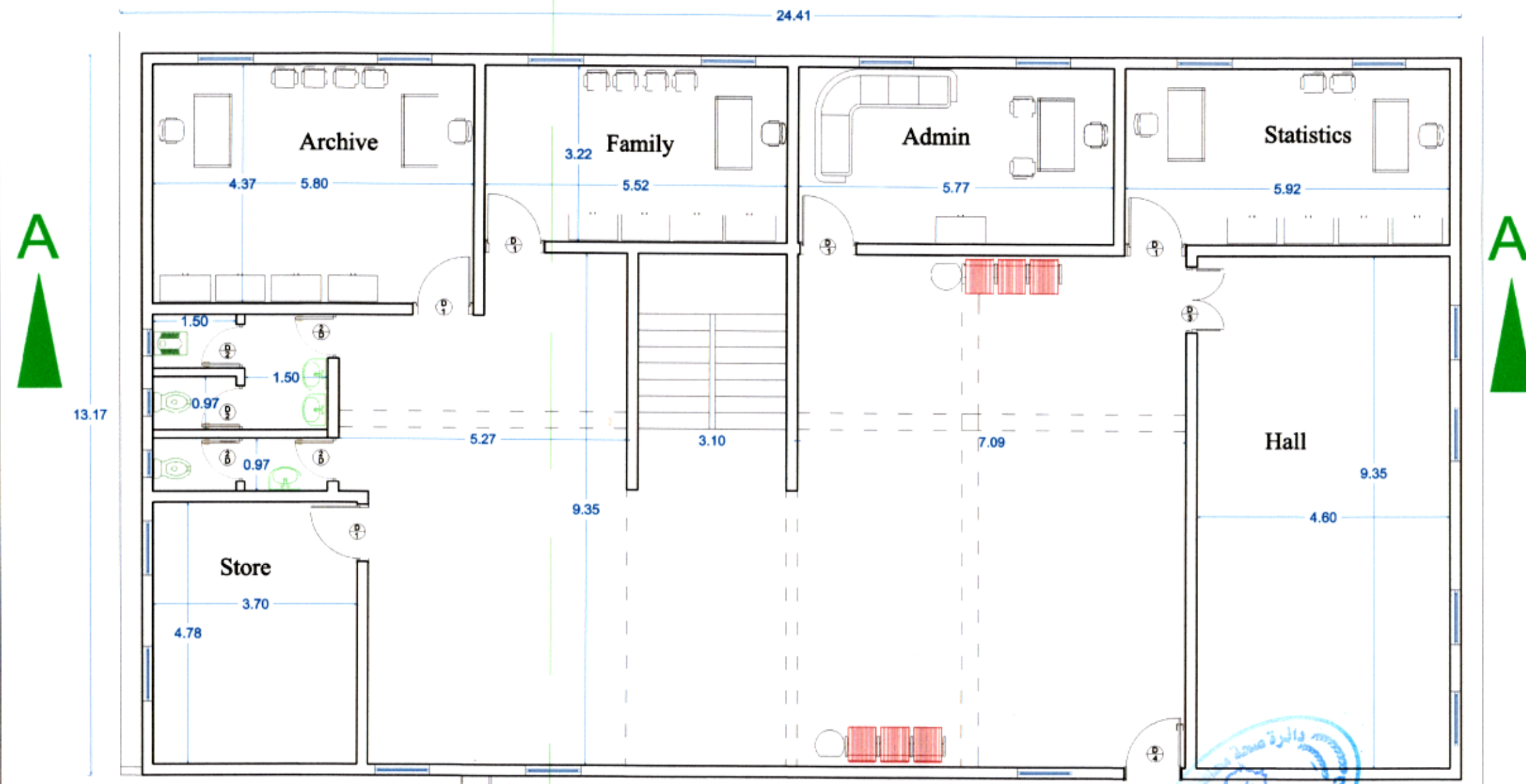
CERTAIN DRAWINGS
ARE N.T.S. (NOT TO
SCALED). TECHNICAL
NOTES &
SPECIFICATION
SHALL BE
REFERENCED

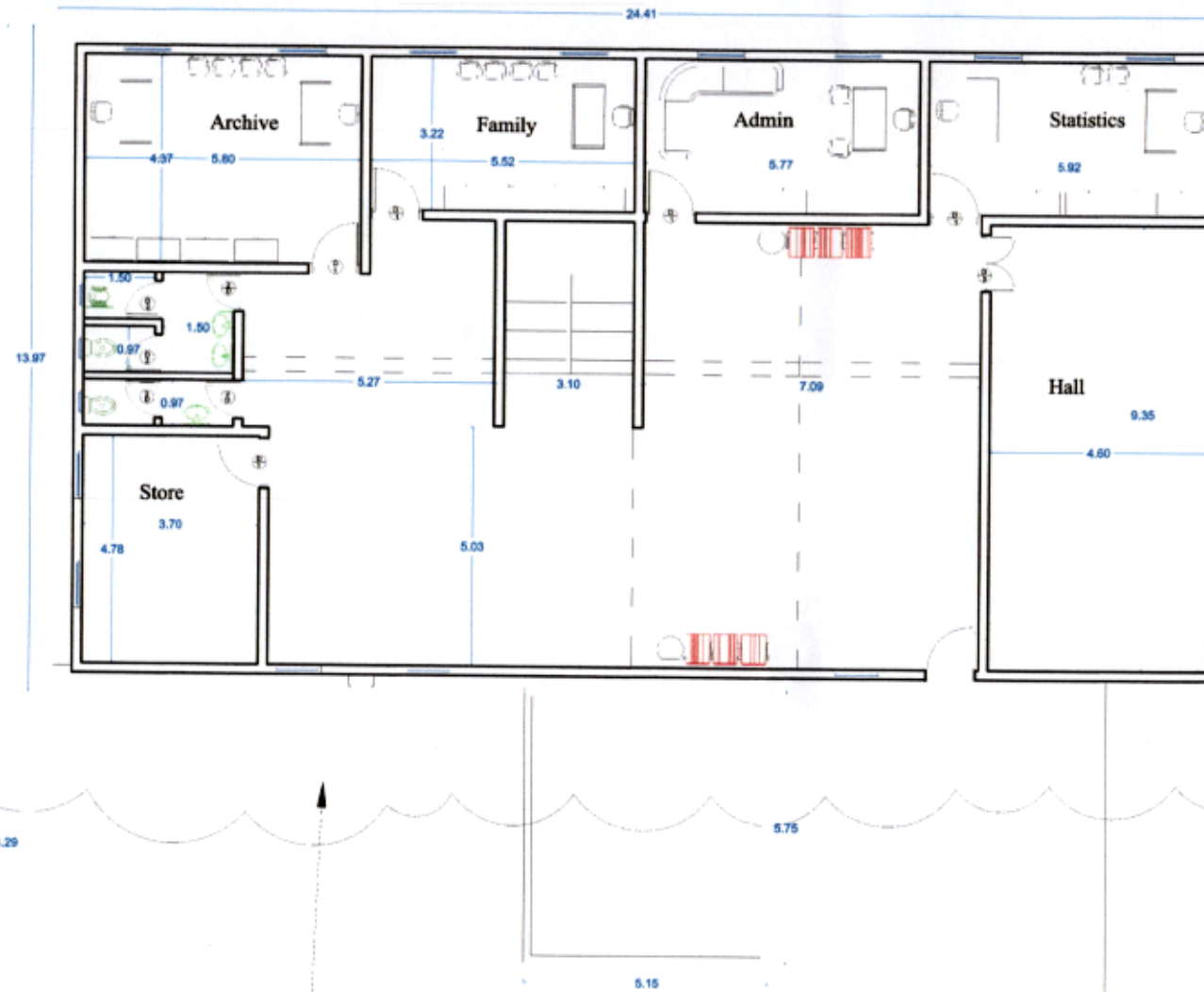
No.	Revision/Issue	Date

First Floor
Plan

Rehabilitation
of PHCC
-Al-Intisar

Project	Sheet
Date	
Scale	





General Notes



german cooperation
DEUTSCHE ZUSAMMENARBEIT



All dimensions

in Meters
المقياس في متر
برهان الدين محمد
BAWER OFFICE

THIS DRAWING IS THE COPYRIGHT OF DAMA, MI&BMZ/ IRAQ. IT IS NOT ALLOWED TO COPY OR REPRODUCE ITS CONTENTS IN ANY FORM WITHOUT THEIR APPROVAL

CERTAIN DRAWINGS ARE N.T.S. (NOT TO SCALED). TECHNICAL NOTES & SPECIFICATION SHALL BE REFERENCED

No.	Revision/Issue	Date

First Floor Plan

Rehabilitation of PHCC -Al-Intisar

Project	Sheet
Date	
Scale	